

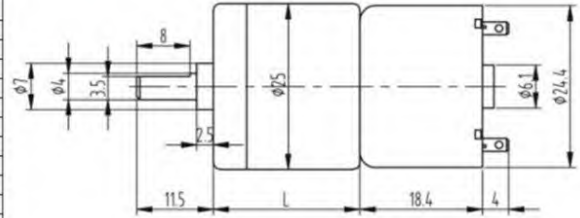


Shenzhen Jinshunlaite Motor.,Ltd.  
 web : www.aslongdcmotor.com/www.aslongmotor.com  
 Email : sales@aslongmotor.com

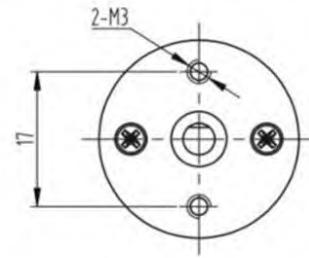


Model:JGA25-310

Reduction ratio	Voltage		No load		Rated load			
	V	Speed (r/min)	Current (mA)	Speed (r/min)	Current (mA)	Torque (kg.cm)	Power (W)	
4.4	6	900	45	700	110	0.03	0.25	
9.6	6	400	45	300	110	0.06	0.25	
21	6	180	45	140	110	0.15	0.25	
35	6	110	45	80	110	0.25	0.25	
46	6	85	45	65	110	0.3	0.25	
78	6	50	45	38	110	0.5	0.25	
100	6	39	45	30	110	0.7	0.25	
171	6	23	45	17	110	1.2	0.25	
226	6	17	45	13	110	1.5	0.25	
377	6	10	45	7	110	2.6	0.25	
500	6	8	45	6	110	3.5	0.25	



Reduction ratio	Voltage		No load		Rated load			
	V	Speed (r/min)	Current (mA)	Speed (r/min)	Current (mA)	Torque (kg.cm)	Power (W)	
4.4	12	1800	90	1400	230	0.06	0.9	
9.6	12	830	90	640	230	0.13	0.9	
21	12	375	90	290	230	0.3	0.9	
35	12	220	90	170	230	0.5	0.9	
46	12	177	90	135	230	0.6	0.9	
78	12	100	90	75	230	1	0.9	
100	12	77	90	60	230	1.4	0.9	
171	12	46	90	35	230	2.4	0.9	
226	12	35	90	27	230	3.2	0.9	
377	12	21	90	16	230	5.2	0.9	
500	12	16	90	12	230	7	0.9	

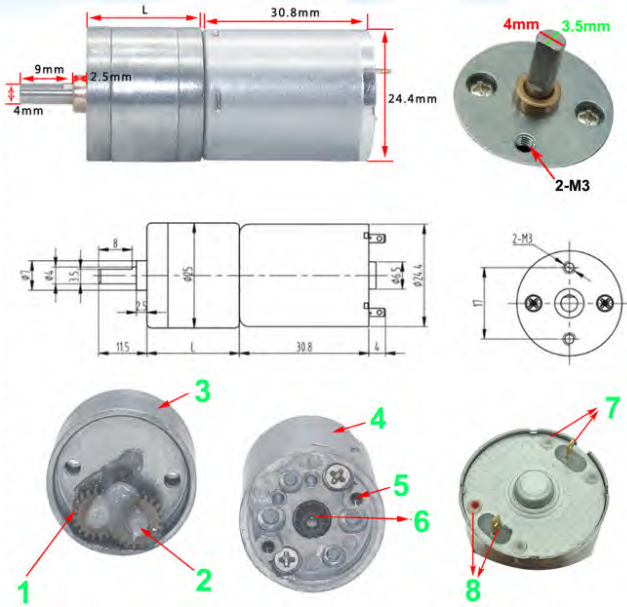


Shenzhen Jinshunlaite Motor.,Ltd.  
 web : www.aslongdcmotor.com/www.aslongmotor.com  
 Email : sales@aslongmotor.com



Model:JGA25-370

Reduction ratio	Rated Volt	No Load			AT Load			STALL		Gearbox Length mm
		SPEED RPM	CURRENT mA	Torque KG.cm	SPEED RPM	Current A	TOGQUE KG.CM	CURRENT A		
4.4	6	1360	100	0.1	1000	0.45	0.35	1.8	17	
9.6	6	620	100	0.22	450	0.45	0.75	1.8	17	
21.3	6	280	100	0.5	220	0.45	1.7	1.8	19	
35	6	170	100	0.8	130	0.45	2.8	1.8	21	
46	6	130	100	1	100	0.45	3.6	1.8	21	
78	6	77	100	1.8	60	0.45	6.2	1.8	23	
103	6	60	100	2.4	46	0.45	8.2	1.8	23	
171	6	35	100	4	27	0.45	9	1.8	25	
226	6	26	100	5.2	20	0.45	9	1.8	25	
377	6	16	100	8.4	12	0.45	9	1.8	27	
500	6	12	100	9	9	0.45	9	1.8	27	
4.4	12	1360	60	0.1	1000	0.45	0.35	1.3	17	
9.6	12	620	60	0.22	450	0.45	0.75	1.3	17	
21.3	12	280	60	0.5	220	0.45	1.7	1.3	19	
35	12	170	60	0.8	130	0.45	2.8	1.3	21	
46	12	130	60	1	100	0.45	3.6	1.3	21	
78	12	77	60	1.8	60	0.45	6.2	1.3	23	
103	12	60	60	2.4	46	0.45	8.2	1.3	23	
171	12	35	60	4	27	0.45	9	1.3	25	
226	12	26	60	5.2	20	0.45	9	1.3	25	
377	12	16	60	8.4	12	0.45	9	1.3	27	
500	12	12	60	9	9	0.45	9	1.3	27	
4.4	24	1360	40	0.1	1000	0.25	0.35	0.7	17	
9.6	24	620	40	0.22	450	0.25	0.75	0.7	17	
21.3	24	280	40	0.5	220	0.25	1.7	0.7	19	
35	24	170	40	0.8	130	0.25	2.8	0.7	21	
46	24	130	40	1	100	0.25	3.6	0.7	21	
78	24	77	40	1.8	60	0.25	6.2	0.7	23	
103	24	60	40	2.4	46	0.25	8.2	0.7	23	
171	24	35	40	4	27	0.25	9	0.7	25	
226	24	26	40	5.2	20	0.25	9	0.7	25	
377	24	16	40	8.4	12	0.25	9	0.7	27	
500	24	12	40	9	9	0.25	9	0.7	27	





## Shenzhen Jinshunlaite Motor.,Ltd.

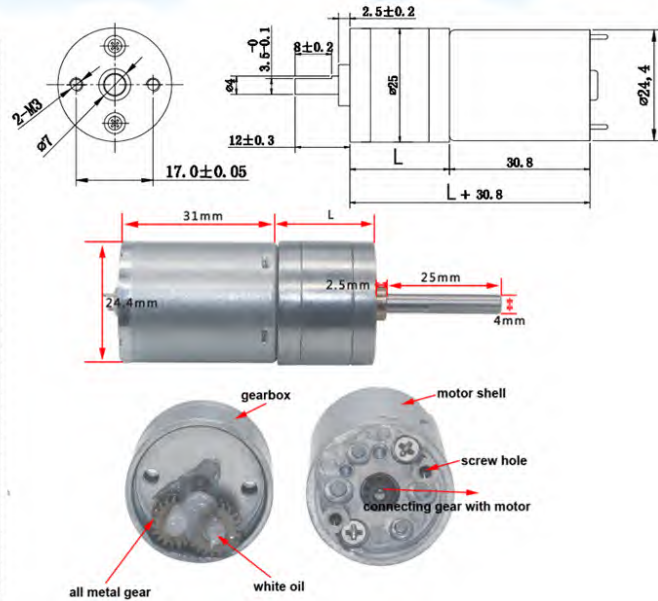
web : [www.aslongdcmotor.com](http://www.aslongdcmotor.com)/[www.aslongmotor.com](http://www.aslongmotor.com)

Email : [sales@aslongmotor.com](mailto:sales@aslongmotor.com)



Model: JGA25-370-25

Reduction ratio	Rated Volt	No Load		AT Load		STALL		Gearbox Length	
		SPEED RPM	CURRENT mA	Torque KG.cm	SPEED RPM	Current A	TOGGQE KG.CM		CURRENT A
4.4	6	1360	100	0.1	1000	0.45	0.35	1.8	17
9.6	6	620	100	0.22	450	0.45	0.75	1.8	17
21.3	6	280	100	0.5	220	0.45	1.7	1.8	19
35	6	170	100	0.8	130	0.45	2.8	1.8	21
46	6	130	100	1	100	0.45	3.6	1.8	21
78	6	77	100	1.8	60	0.45	6.2	1.8	23
103	6	60	100	2.4	46	0.45	8.2	1.8	23
171	6	35	100	4	27	0.45	9	1.8	25
226	6	26	100	5.2	20	0.45	9	1.8	25
377	6	16	100	8.4	12	0.45	9	1.8	27
500	6	12	100	9	9	0.45	9	1.8	27
4.4	12	1360	60	0.1	1000	0.45	0.35	1.3	17
9.6	12	620	60	0.22	450	0.45	0.75	1.3	17
21.3	12	280	60	0.5	220	0.45	1.7	1.3	19
35	12	170	60	0.8	130	0.45	2.8	1.3	21
46	12	130	60	1	100	0.45	3.6	1.3	21
78	12	77	60	1.8	60	0.45	6.2	1.3	23
103	12	60	60	2.4	46	0.45	8.2	1.3	23
171	12	35	60	4	27	0.45	9	1.3	25
226	12	26	60	5.2	20	0.45	9	1.3	25
377	12	16	60	8.4	12	0.45	9	1.3	27
500	12	12	60	9	9	0.45	9	1.3	27
4.4	24	1360	40	0.1	1000	0.25	0.35	0.7	17
9.6	24	620	40	0.22	450	0.25	0.75	0.7	17
21.3	24	280	40	0.5	220	0.25	1.7	0.7	19
35	24	170	40	0.8	130	0.25	2.8	0.7	21
46	24	130	40	1	100	0.25	3.6	0.7	21
78	24	77	40	1.8	60	0.25	6.2	0.7	23
103	24	60	40	2.4	46	0.25	8.2	0.7	23
171	24	35	40	4	27	0.25	9	0.7	25
226	24	26	40	5.2	20	0.25	9	0.7	25
377	24	16	40	8.4	12	0.25	9	0.7	27
500	24	12	40	9	9	0.25	9	0.7	27



## Shenzhen Jinshunlaite Motor.,Ltd.

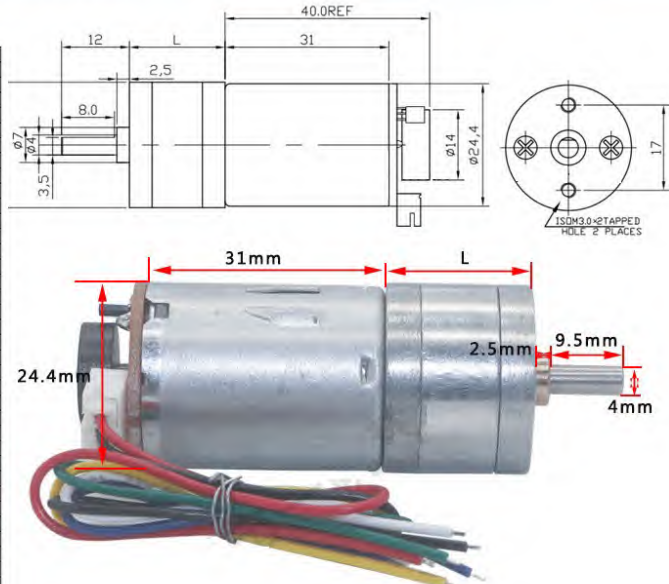
web : [www.aslongdcmotor.com](http://www.aslongdcmotor.com)/[www.aslongmotor.com](http://www.aslongmotor.com)

Email : [sales@aslongmotor.com](mailto:sales@aslongmotor.com)



Model: JGA25-370B

Reduction ratio	Rated Volt	No Load		AT Load		STALL		Gearbox Length	
		SPEED RPM	CURRENT mA	Torque KG.cm	SPEED RPM	Current A	TOGGQE KG.CM		CURRENT A
4.4	6	1360	100	0.1	1000	0.45	0.35	1.8	17
9.6	6	620	100	0.22	450	0.45	0.75	1.8	17
21.3	6	280	100	0.5	220	0.45	1.7	1.8	19
35	6	170	100	0.8	130	0.45	2.8	1.8	21
46	6	130	100	1	100	0.45	3.6	1.8	21
78	6	77	100	1.8	60	0.45	6.2	1.8	23
103	6	60	100	2.4	46	0.45	8.2	1.8	23
171	6	35	100	4	27	0.45	9	1.8	25
226	6	26	100	5.2	20	0.45	9	1.8	25
377	6	16	100	8.4	12	0.45	9	1.8	27
500	6	12	100	9	9	0.45	9	1.8	27
4.4	12	1360	60	0.1	1000	0.45	0.35	1.3	17
9.6	12	620	60	0.22	450	0.45	0.75	1.3	17
21.3	12	280	60	0.5	220	0.45	1.7	1.3	19
35	12	170	60	0.8	130	0.45	2.8	1.3	21
46	12	130	60	1	100	0.45	3.6	1.3	21
78	12	77	60	1.8	60	0.45	6.2	1.3	23
103	12	60	60	2.4	46	0.45	8.2	1.3	23
171	12	35	60	4	27	0.45	9	1.3	25
226	12	26	60	5.2	20	0.45	9	1.3	25
377	12	16	60	8.4	12	0.45	9	1.3	27
500	12	12	60	9	9	0.45	9	1.3	27
4.4	24	1360	40	0.1	1000	0.25	0.35	0.7	17
9.6	24	620	40	0.22	450	0.25	0.75	0.7	17
21.3	24	280	40	0.5	220	0.25	1.7	0.7	19
35	24	170	40	0.8	130	0.25	2.8	0.7	21
46	24	130	40	1	100	0.25	3.6	0.7	21
78	24	77	40	1.8	60	0.25	6.2	0.7	23
103	24	60	40	2.4	46	0.25	8.2	0.7	23
171	24	35	40	4	27	0.25	9	0.7	25
226	24	26	40	5.2	20	0.25	9	0.7	25
377	24	16	40	8.4	12	0.25	9	0.7	27
500	24	12	40	9	9	0.25	9	0.7	27



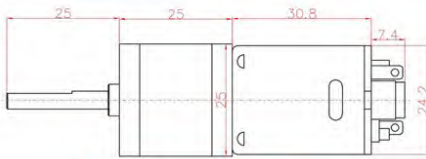
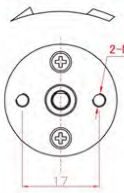
# Shenzhen Jinshunlaite Motor.,Ltd.

web : [www.aslongdcmotor.com/www.aslongmotor.com](http://www.aslongdcmotor.com/www.aslongmotor.com)

Email : [sales@aslongmotor.com](mailto:sales@aslongmotor.com)



DIRECTION OF ROTATION



Model: JGA25-370DG

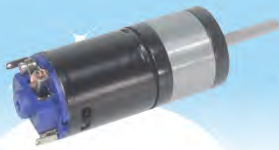
Voltage		No load		On Load				Stall		Speed reducer		Weight
Workable Range	Rated V	Speed rpm	Current mA	Speed rpm	Current A	Torque Kg.cm	Output w	Torque kg.cm	Current A	Ratio 1:00	Size mm	Unit g
6-12v	12v	4545	580	3864	1.1	0.3	17	1.2	4.47	4.4	18	100
6-12v	12v	2083	580	1771	1.1	0.6	17	2.3	4.47	9.6	17.5	100
6-12v	12v	939	580	798	1.1	1.3	17	5.8	4.47	21.3	19	100
6-12v	12v	567	580	482	1.1	2.1	17	9.6	4.47	35.3	21	100
6-12v	12v	427	580	363	1.1	2.8	17	12.6	4.47	46.8	21	100
6-12v	12v	256	580	218	1.1	4.7	17	21.1	4.47	78	23	100
6-12v	12v	194	580	165	1.1	6.3	17	27.8	4.47	103	23	100
6-12v	12v	117	580	99	1.1	9.3	17	Ban locked	4.47	171	25	100
6-12v	12v	88	580	75	1.1	12.5	17		4.47	226	25	100
6-12v	12v	53	580	45	1.1	13	17	4.47	378	27	100	
6-12v	12v	40	580	34	1.1	15	17	4.47	500	27	100	

JGA25-370DG



Double linkage gear

Normal product



# Shenzhen Jinshunlaite Motor.,Ltd.

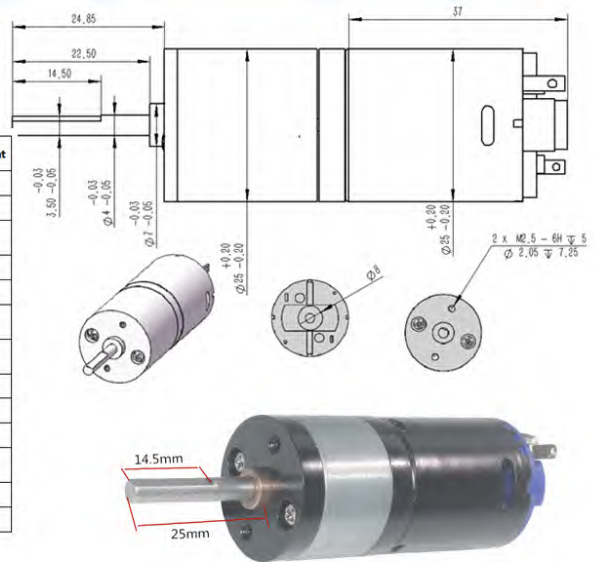
web : [www.aslongdcmotor.com/www.aslongmotor.com](http://www.aslongdcmotor.com/www.aslongmotor.com)

Email : [sales@aslongmotor.com](mailto:sales@aslongmotor.com)



Model: JGA25-370DGT

Voltage		No load		On Load				Stall		Speed reducer		Weight
Workable Range	Rated V	Speed rpm	Current mA	Speed rpm	Current A	Torque Kg.cm	Output w	Torque kg.cm	Current A	Ratio 1:00	Size mm	Unit g
6-12v	12v	4545	580	3864	1.1	0.3	17	1.2	4.47	4.4	18	100
6-12v	12v	2083	580	1771	1.1	0.6	17	2.3	4.47	9.6	17.5	100
6-12v	12v	939	580	798	1.1	1.3	17	5.8	4.47	21.3	19	100
6-12v	12v	567	580	482	1.1	2.1	17	9.6	4.47	35.3	21	100
6-12v	12v	427	580	363	1.1	2.8	17	12.6	4.47	46.8	21	100
6-12v	12v	256	580	218	1.1	4.7	17	21.1	4.47	78	23	100
6-12v	12v	194	580	165	1.1	6.3	17	27.8	4.47	103	23	100
6-12v	12v	117	580	99	1.1	9.3	17	Ban locked	4.47	171	25	100
6-12v	12v	88	580	75	1.1	12.5	17		4.47	226	25	100
6-12v	12v	53	580	45	1.1	13	17	4.47	378	27	100	
6-12v	12v	40	580	34	1.1	15	17	4.47	500	27	100	

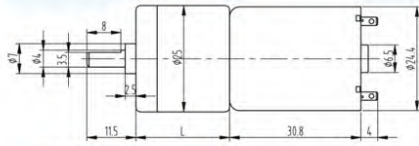




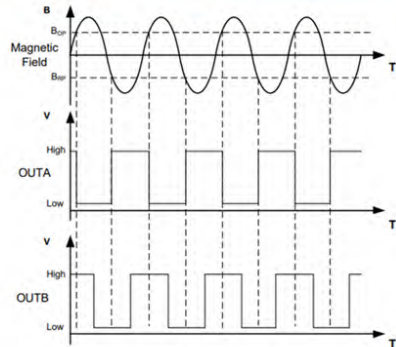
Shenzhen Jinshunlaite Motor.,Ltd.

web : www.aslongdcmotor.com/www.aslongmotor.com

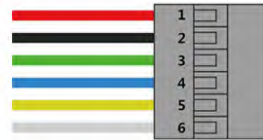
Email : sales@aslongmotor.com



Model:JGA25-370G



Voltage		No load		On Load				Speed reducer	
Workable Range	Rated V	Speed rpm	Current mA	Speed rpm	Current mA	Torque Kg.cm	Output w	Ratio	Size mm
6-24v	12v	977	46	781	300	0.11	1.25	4.4	15
6-24v	12v	463	46	370	300	0.23	1.25	9.28	17
6-24v	12v	201	46	168	300	0.53	1.25	21.3	19
6-24v	12v	126	46	100	300	0.85	1.25	34	21
6-24v	12v	95	46	76	300	1.1	1.25	45	21
6-24v	12v	55	46	44	300	1.95	1.25	78	23
6-24v	12v	41	46	32	300	2.5	1.25	103	23
6-24v	12v	25	46	20	300	4.2	1.25	171	25
6-24v	12v	19	46	15	300	5.6	1.25	226	25
6-24v	12v	11	46	8.8	300	9.45	1.25	378	27
6-24v	12v	8.6	46	6.8	300	12	1.25	500	27



Two Channel Encoder Connections	
1.Red	Motor +
2.Black	Motor -
3.Green	Encoder GND
4.Blue	Encoder VCC
5.Yellow:	Signal A
6.White:	Signal B



Shenzhen Jinshunlaite Motor.,Ltd.

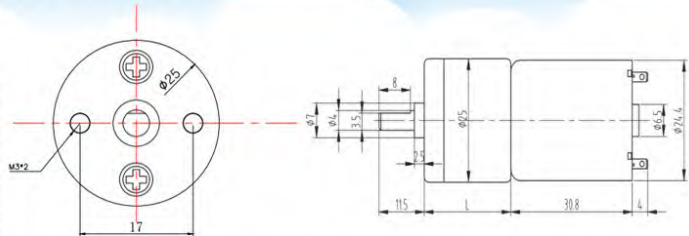
web : www.aslongdcmotor.com/www.aslongmotor.com

Email : sales@aslongmotor.com



Model:JGA25-370TC

Reduction ratio	Rated Volt V	No Load		AT Load		STALL		Gearbox Length mm	
		SPEED RPM	CURRENT mA	Torque KG.cm	SPEED RPM	Current A	TOGQCE KG.CM		CURRENT A
4.4	6	1360	100	0.1	1000	0.45	0.35	1.8	17
9.6	6	620	100	0.22	450	0.45	0.75	1.8	17
21.3	6	280	100	0.5	220	0.45	1.7	1.8	19
35	6	170	100	0.8	130	0.45	2.8	1.8	21
46	6	130	100	1	100	0.45	3.6	1.8	21
78	6	77	100	1.8	60	0.45	6.2	1.8	23
103	6	60	100	2.4	46	0.45	8.2	1.8	23
171	6	35	100	4	27	0.45	9	1.8	25
226	6	26	100	5.2	20	0.45	9	1.8	25
377	6	16	100	8.4	12	0.45	9	1.8	27
500	6	12	100	9	9	0.45	9	1.8	27
4.4	12	1360	60	0.1	1000	0.45	0.35	1.3	17
9.6	12	620	60	0.22	450	0.45	0.75	1.3	17
21.3	12	280	60	0.5	220	0.45	1.7	1.3	19
35	12	170	60	0.8	130	0.45	2.8	1.3	21
46	12	130	60	1	100	0.45	3.6	1.3	21
78	12	77	60	1.8	60	0.45	6.2	1.3	23
103	12	60	60	2.4	46	0.45	8.2	1.3	23
171	12	35	60	4	27	0.45	9	1.3	25
226	12	26	60	5.2	20	0.45	9	1.3	25
377	12	16	60	8.4	12	0.45	9	1.3	27
500	12	12	60	9	9	0.45	9	1.3	27
4.4	24	1360	40	0.1	1000	0.25	0.35	0.7	17
9.6	24	620	40	0.22	450	0.25	0.75	0.7	17
21.3	24	280	40	0.5	220	0.25	1.7	0.7	19
35	24	170	40	0.8	130	0.25	2.8	0.7	21
46	24	130	40	1	100	0.25	3.6	0.7	21
78	24	77	40	1.8	60	0.25	6.2	0.7	23
103	24	60	40	2.4	46	0.25	8.2	0.7	23
171	24	35	40	4	27	0.25	9	0.7	25
226	24	26	40	5.2	20	0.25	9	0.7	25
377	24	16	40	8.4	12	0.25	9	0.7	27
500	24	12	40	9	9	0.25	9	0.7	27





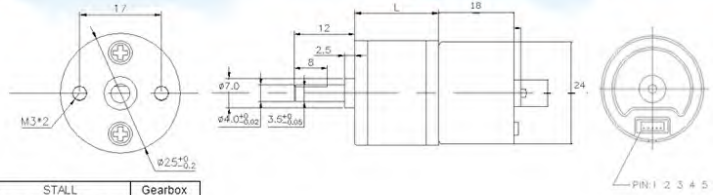
Shenzhen Jinshunlaite Motor.,Ltd.

web: www.aslongdcmotor.com/www.aslongmotor.com

Email: sales@aslongmotor.com



Model: JGA25-2418



Reduction ratio	Rated Volt	No Load			AT Load			STALL		Gearbox Length mm
		SPEED RPM	CURRENT mA	Torque KG.cm	SPEED RPM	Current A	OUTPUT W	TOGQCE KG.CM	CURRENT A	
4.4	12	1000	50	0.03	770	0.15	0.6	0.2	0.4	17
9.6	12	450	50	0.07	350	0.15	0.6	0.5	0.4	17
21.3	12	210	50	0.2	160	0.15	0.6	1	0.4	19
35	12	130	50	0.25	100	0.15	0.6	1.7	0.4	21
46	12	100	50	0.3	75	0.15	0.6	2.1	0.4	21
78	12	58	50	0.6	60	0.15	0.6	3.7	0.4	23
103	12	45	50	0.7	35	0.15	0.6	4.9	0.4	23
171	12	26	50	1.2	20	0.15	0.6	8	0.4	25
226	12	20	50	1.6	15	0.15	0.6	9		25
377	12	12	50	2.6	9	0.15	0.6	9		27
500	12	9	50	3.5	7	0.15	0.6	9	Forbid locked	27
4.4	24	2000	85	0.06	1540	0.2	2.2	0.4	0.8	17
9.6	24	930	85	0.17	700	0.2	2.2	1	0.8	17
21.3	24	420	85	0.4	320	0.2	2.2	2.1	0.8	19
35	24	260	85	0.5	200	0.2	2.2	3.4	0.8	21
46	24	200	85	0.6	150	0.2	2.2	4.2	0.8	21
78	24	115	85	1.2	120	0.2	2.2	7.4	0.8	23
103	24	90	85	1.4	70	0.2	2.2	9	0.8	23
171	24	52	85	2.4	40	0.2	2.2	9		25
226	24	40	85	3.2	30	0.2	2.2	9	Forbid locked	25
377	24	24	85	5.2	18	0.2	2.2	9		27
500	24	18	85	7	14	0.2	2.2	9		27



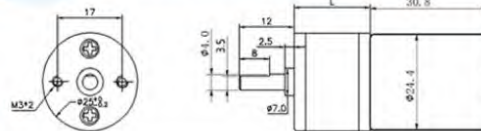
Shenzhen Jinshunlaite Motor.,Ltd.

web: www.aslongdcmotor.com/www.aslongmotor.com

Email: sales@aslongmotor.com



Model: JGA25-2430



Model	Rated	No load		On Load				Stall		Speed reducer	
		Speed	Current	Speed	Current	Torque	Output	Torque	Current	Weight	Size
		V	≈ 10% RPM	A	≈ 10% RPM	A	Kg.cm	w	kg.cm	A	g
JGA25-2430-4.3K	24V	1550	0.09	1205	0.3	0.12	1.5	0.4	1.3	91	18
JGA25-2430-9.6K	24V	700	0.09	544.5	0.3	0.26	1.46	0.9	1.3	91	17.5
JGA25-2430-21.3K	24V	320	0.09	231	0.3	0.56	1.35	1.94	1.3	92	19
JGA25-2430-35.5K	24V	200	0.09	149	0.3	0.92	1.44	3.24	1.3	93	21
JGA25-2430-46.8K	24V	150	0.09	120	0.3	1	1.27	4.27	1.3	93	21
JGA25-2430-78K	24V	88	0.09	67.4	0.3	1.68	1.19	7	1.3	95	23
JGA25-2430-103K	24V	65	0.09	55	0.3	3.06	1.76	9.28	1.3	95	23
JGA25-2430-130K	24V	54	0.09	45	0.3	3.86	1.81			96	25
JGA25-2430-171K	24V	40	0.09	32	0.3	4.91	1.64			96	25
JGA25-2430-226K	24V	30	0.09	22	0.3	6.6	1.76			96	25
JGA25-2430-377K	24V	18.5	0.09	16.7	0.3	7	1.23			98	27
JGA25-2430-500K	24V	14	0.09	12.6	0.3	7.75	1.05			98	27

Model	Rated	No load		On Load				Stall		Speed reducer	
		Speed	Current	Speed	Current	Torque	Output	Torque	Current	Weight	Size
		V	≈ 10% RPM	A	≈ 10% RPM	A	Kg.cm	w	kg.cm	A	g
JGA25-2430-4.3K	12V	1550	0.15	1205	0.612	0.12	1.5	0.4	1.6	91	18
JGA25-2430-9.6K	12V	700	0.15	544.5	0.612	0.26	1.46	0.9	1.6	91	17.5
JGA25-2430-21.3K	12V	320	0.15	231	0.612	0.56	1.35	1.94	1.6	92	19
JGA25-2430-35.5K	12V	200	0.15	149	0.612	0.92	1.44	3.24	1.6	93	21
JGA25-2430-46.8K	12V	150	0.15	120	0.612	1	1.27	4.27	1.6	93	21
JGA25-2430-78K	12V	88	0.15	67.4	0.612	1.68	1.19	7	1.6	95	23
JGA25-2430-103K	12V	65	0.15	55	0.612	3.06	1.76	9.28	1.6	95	23
JGA25-2430-130K	12V	54	0.15	45	0.612	3.86	1.81			96	25
JGA25-2430-171K	12V	40	0.15	32	0.612	4.91	1.64			96	25
JGA25-2430-226K	12V	30	0.15	22	0.612	6.6	1.76			96	25
JGA25-2430-377K	12V	18.5	0.15	16.7	0.612	7	1.23			98	27
JGA25-2430-500K	12V	14	0.15	12.6	0.612	7.75	1.05			98	27

